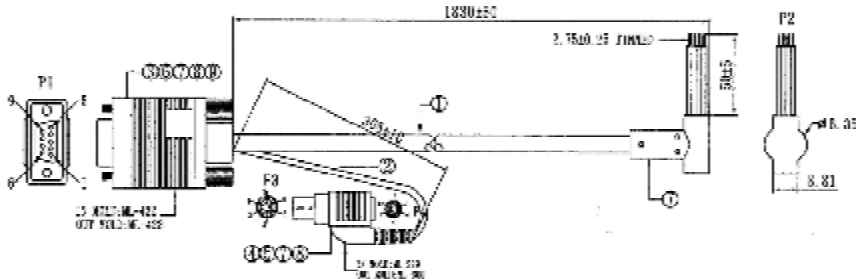
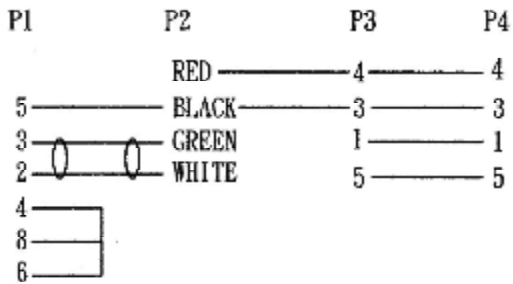


## Serial Reader Pinout

AK2 : PS/2 pass-thru connector taps power from keyboard/mouse connector



### \*\*\* PINOUT DIAGRAM \*\*\*



DB9

PIN 2 – TX

PIN3 – RX

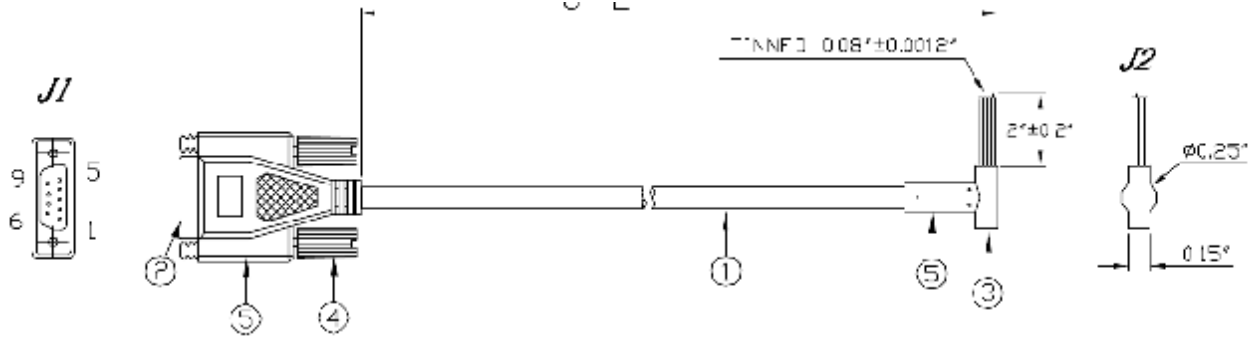
PIN5 – GND

PS2

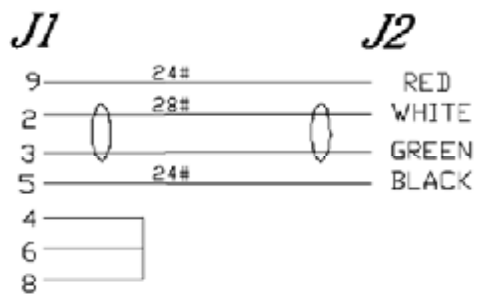
PIN4 - +5V regulated

PIN3 - GND

AK5 : DB9 data and 5 Vdc Power supplied on Pin 9 of DB 9 connector



**\*\*\* PINOUT DIAGRAM \*\*\***



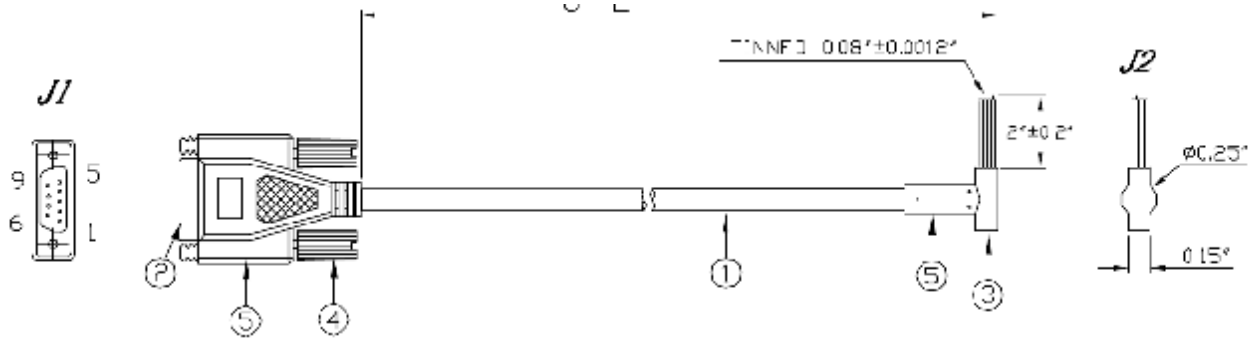
PIN 9 - 5volt regulated

PIN 2 – TX

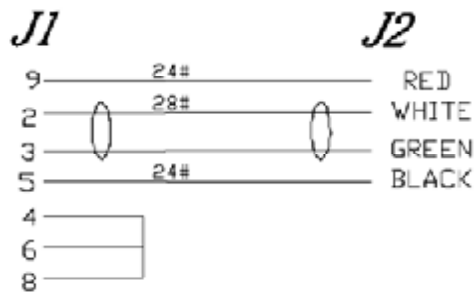
PIN3 – RX

PIN5 - GND

AK6 : DB9 data and 9 Vdc Power supplied on Pin 9 of DB 9 connector



**\*\*\* PINOUT DIAGRAM \*\*\***



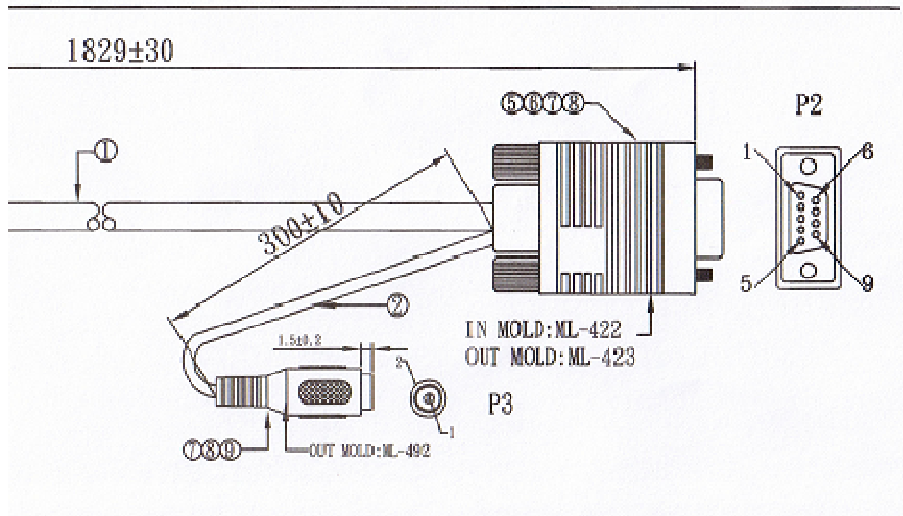
PIN 9 - 9volt

PIN 2 - TX

PIN3 - RX

PIN5 - GND

AK7 : Connector allows for external 9 Vdc power supply wall adaptor



P1	P2	P3	
1	brown	2	Shield
2	red	2	
3	orange	3	
4	yellow	4	
5	green	5	
6	blue	6	
7	PURPLE	1	COAXIAL CORE
8	black	8	

P2

2 TX

3 RX

5 GND

P3

DC Jack 2.1 x 5.5mm